

# UltraDish™

DIRECTIONAL PARABOLIC DISH ANTENNA  
WITH TWISTPORT™ CONNECTOR

UD-TP-21

UD-TP-24

UD-TP-27



# UltraDish™

## Overview

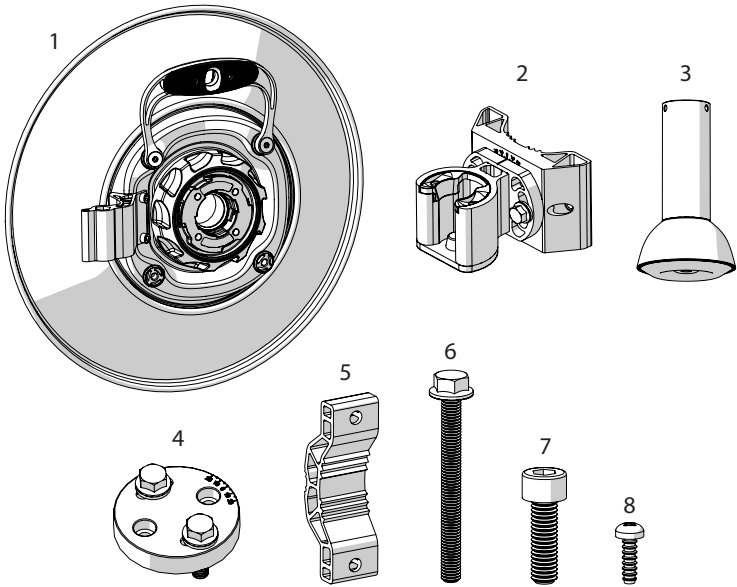
	Product ID	Dimensions (mm/inch)	Weight* (kg/lbs)	Gain (dBi)
<b>UltraDish™ TP 5-21</b>	UD-TP-21	467 x 344 x 262 18.3 x 13.5 x 10.3	2.2 4.8	21
<b>UltraDish™ TP 5-24</b>	UD-TP-24	505 x 420 x 262 19.8 x 16.5 x 10.3	2.4 5.2	24
<b>UltraDish™ TP 5-27</b>	UD-TP-27	584 x 584 x 285 22.9 x 22.9 x 11.2	3.5 7.7	27

\*Estimate based on the pre-production units. Subject to change.

# UltraDish™

Package Contents for: UD-TP-21 and UD-TP-24 Antennas

To continue installation see Step 4



Number	Description	Quantity
1	UltraDish™	1x
2	Bracket Base UBR	1x
3	UltraDish™ Subreflector	1x
4	Bracket Ring UBR	1x
5	Pole Mount Bracket	1x
6	M8x80mm DIN 6921 Screw	2x
7	M6x20mm DIN 912 Screw	2x
8	2.9x16mm Lock Screw	1x

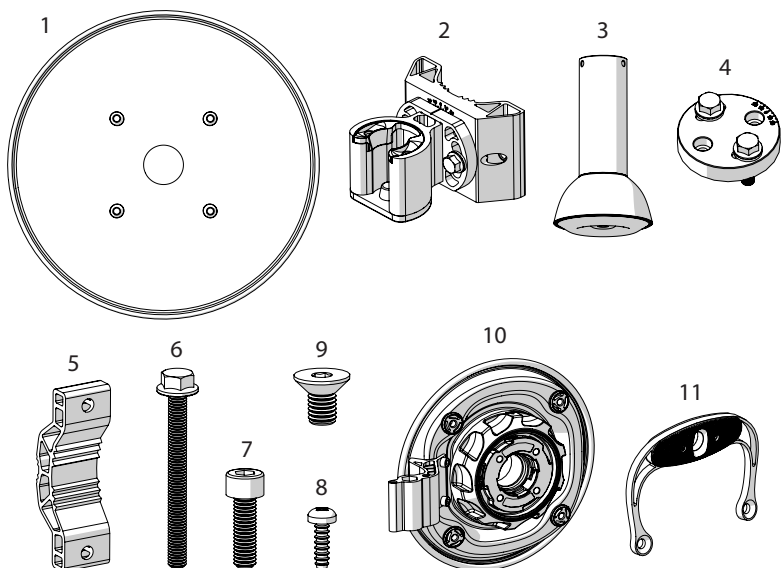
Model UD-TP-24 shown. Package Contents are identical for UD-TP-21.

Antenna dimensions may differ.

# UltraDish™

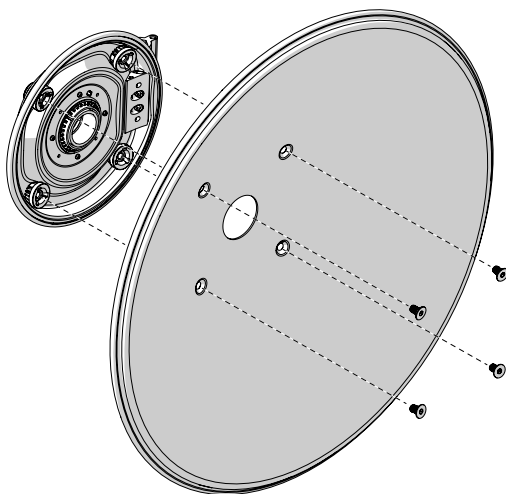
Package Contents for: UD-TP-27 Antenna

To continue installation see Step 1

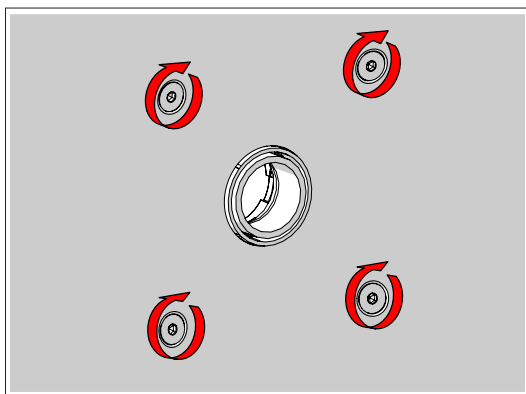


Number	Description	Quantity
1	UltraDish™ 27	1x
2	Bracket Base UBR	1x
3	UltraDish™ Subreflector	1x
4	Bracket Ring UBR	1x
5	Pole Mount Bracket	1x
6	M8x80mm DIN 6921 Screw	2x
7	M6x20mm DIN 912 Screw	2x
8	2.9x16mm Lock Screw	1x
9	M8x14mm DIN 7991 Screw	6x
10	UltraDish™ Base	1x
11	UltraDish™ Handle	1x

Pre-Installation Guide - This step applies only to the **UD-TP-27** Antenna  
To continue installation see Step 4



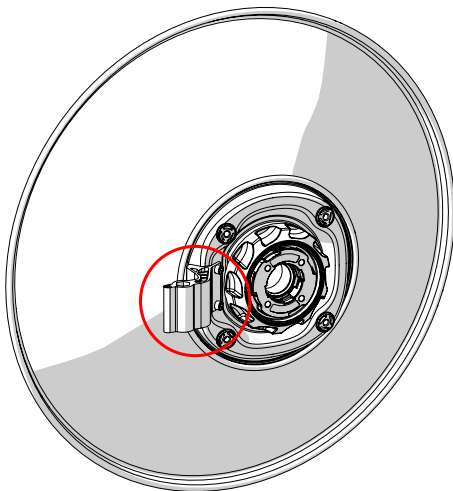
Use 5 mm Hex Key when assembling the antenna



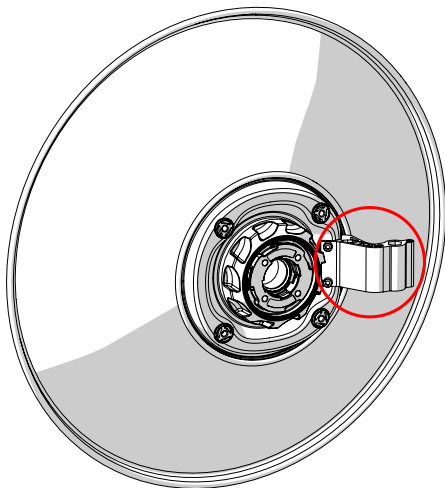
Model UD-TP-27 shown.

Pre-Installation Guide - This step applies only to the **UD-TP-27** Antenna  
To continue installation see Step 4

Setup for mounting  
on the **right** side of the pole

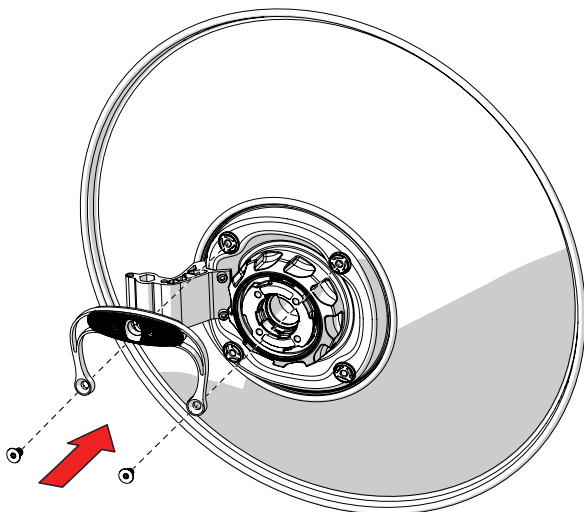


Setup for mounting  
on the **left** side of the pole

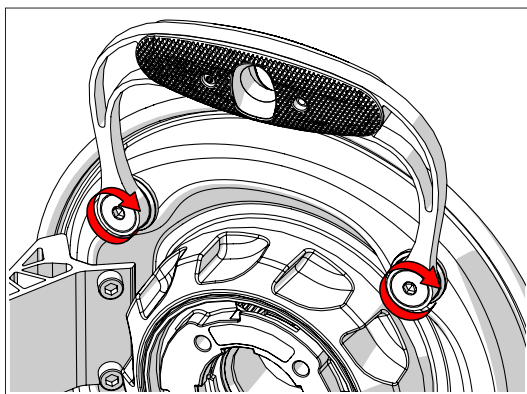


Model UD-TP-27 shown.

Pre-Installation Guide - This step applies only to the UD-TP-27 Antenna  
To continue installation see Step 4



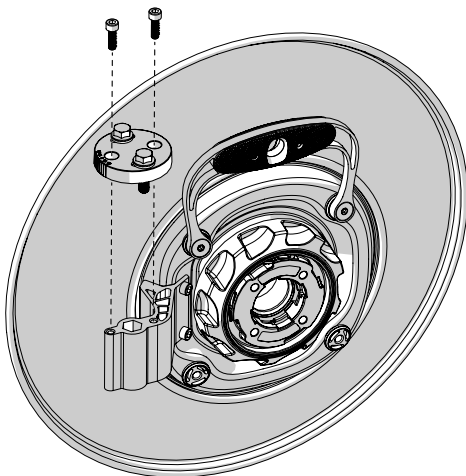
Use 5 mm Hex Key when assembling the antenna



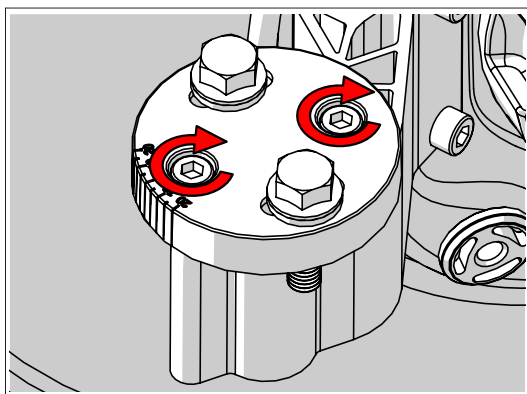
These instructions are valid when mounting the antenna on the right side of the pole.  
Model UD-TP-27 shown.

## Installation Guide

Assembly shown here is for the installation on the right side of the pole.  
If you need to swap to use the left side of the pole, see step 12.



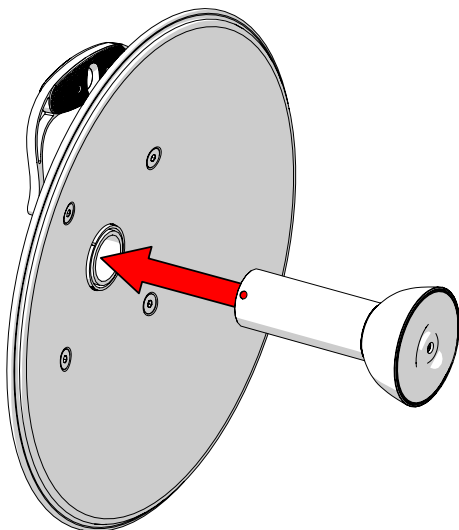
Use 5 mm Hex Key when assembling the antenna



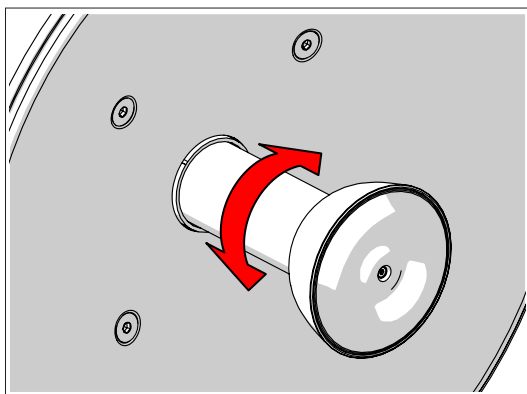
Model UD-TP-24 shown. Installation instructions are identical for other UltraDish™ models.  
Antenna dimensions may differ.



## Installation Guide

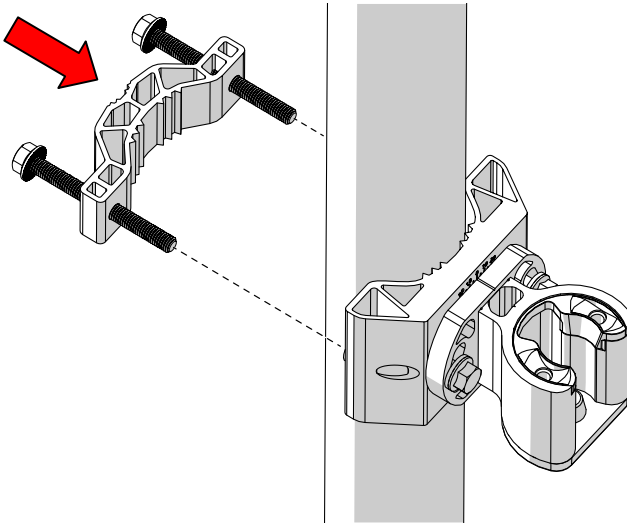


Keep twisting the UltraDish™ Subreflector in either direction until the spring latch is engaged

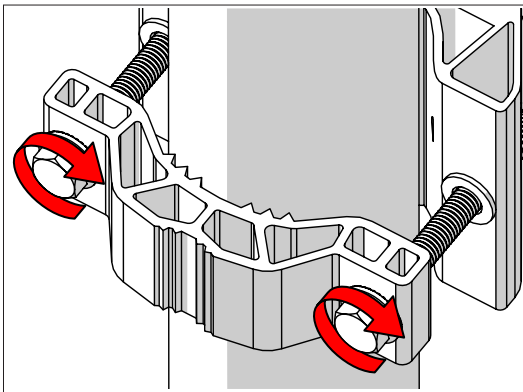


Model UD-TP-24 shown. Installation instructions are identical for other UltraDish™ models.  
Antenna dimensions may differ.

## Installation Guide



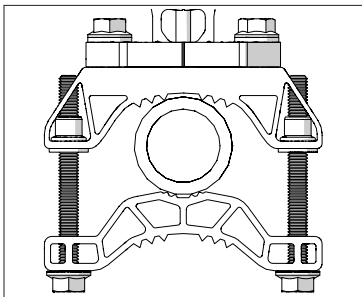
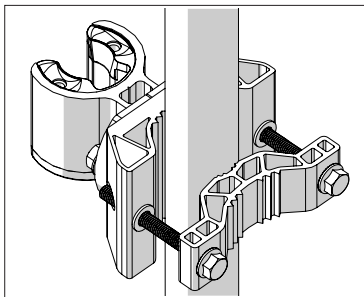
Use 13 mm Ratchet Wrench when assembling the bracket



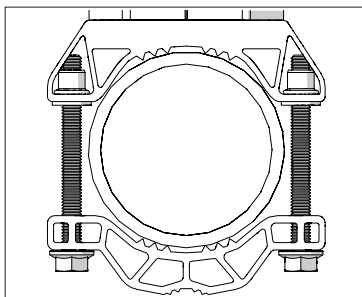
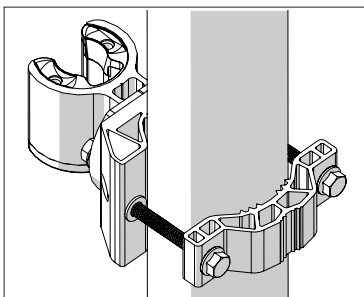
Model UD-TP-24 shown. Installation instructions are identical for other UltraDish™ models.  
Antenna dimensions may differ.

## Installation Guide

Install the Pole Mount Bracket as shown for pole diameter range 40 - 57 mm.

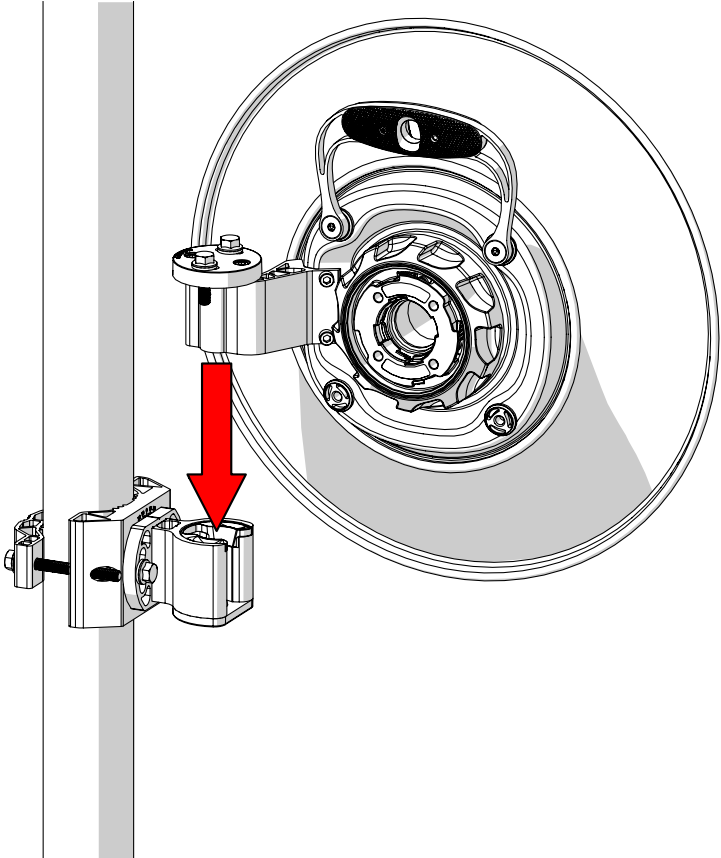


Install the Pole Mount Bracket as shown for pole diameter range 58 - 80 mm.



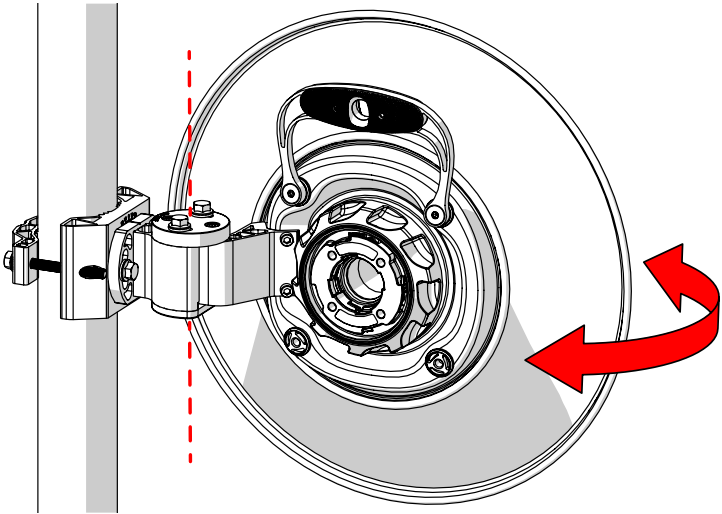
Model UD-TP-24 shown. Installation instructions are identical for other UltraDish™ models.  
Antenna dimensions may differ.

## Installation Guide

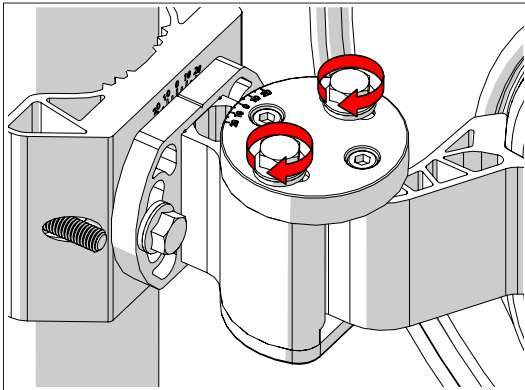


Model UD-TP-24 shown. Installation instructions are identical for other UltraDish™ models.  
Antenna dimensions may differ.

## Installation Guide

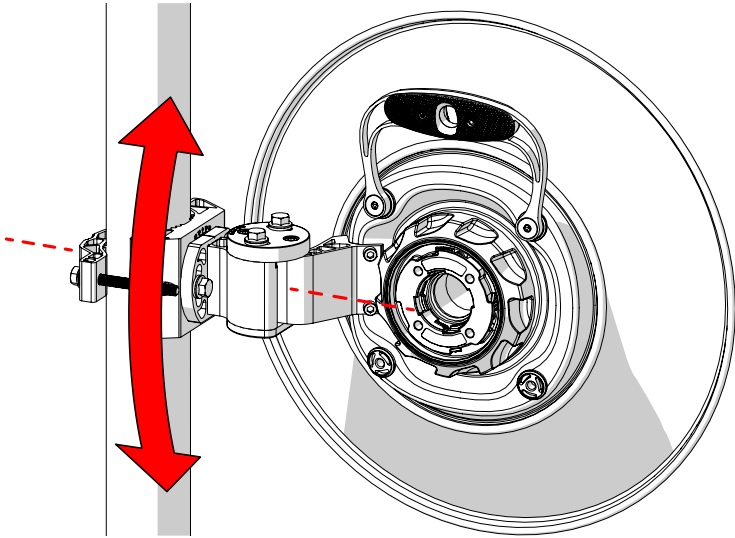


Use 13 mm Ratchet Wrench when tightening the azimuth bolts

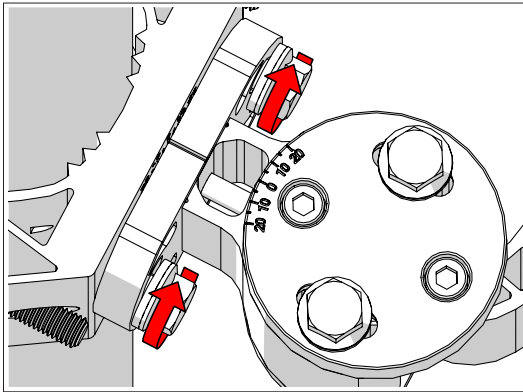


Model UD-TP-24 shown. Installation instructions are identical for other UltraDish™ models.  
Antenna dimensions may differ.

## Installation Guide

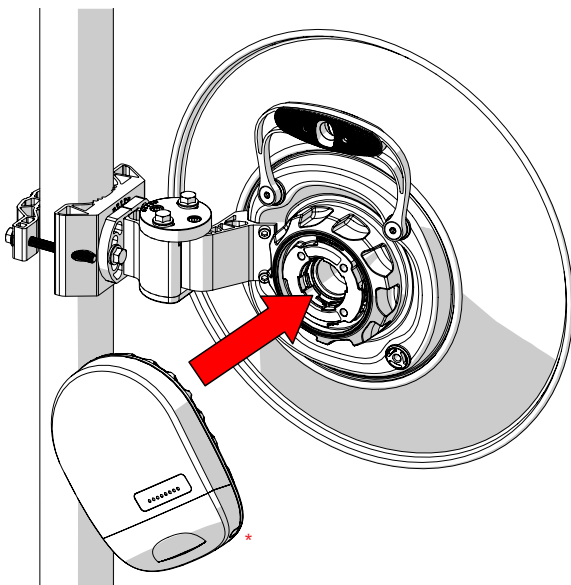


Use 13 mm Ratchet Wrench when tightening the elevation bolts

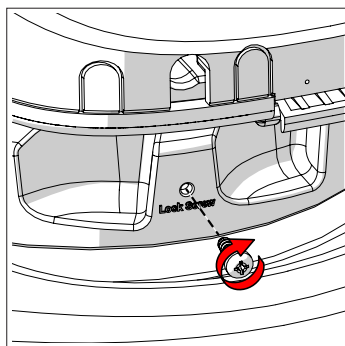
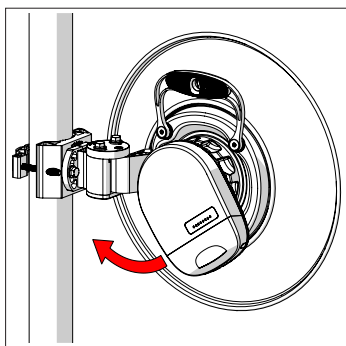


Model UD-TP-24 shown. Installation instructions are identical for other UltraDish™ models.  
Antenna dimensions may differ.

## Installation Guide



Optional: Install the 2.9x16 mm locking screw.



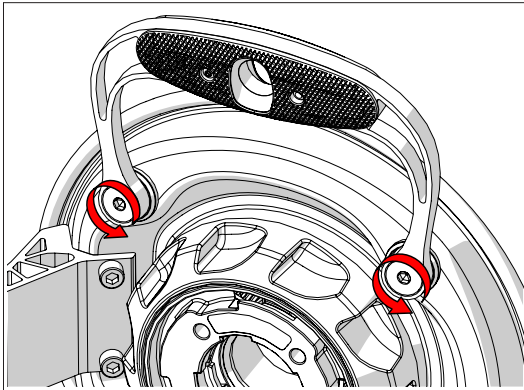
Tighten the locking screw to secure the TwistPort™ lock mechanism.

Model UD-TP-24 shown. Installation instructions are identical for other UltraDish™ models. Antenna dimensions may differ.

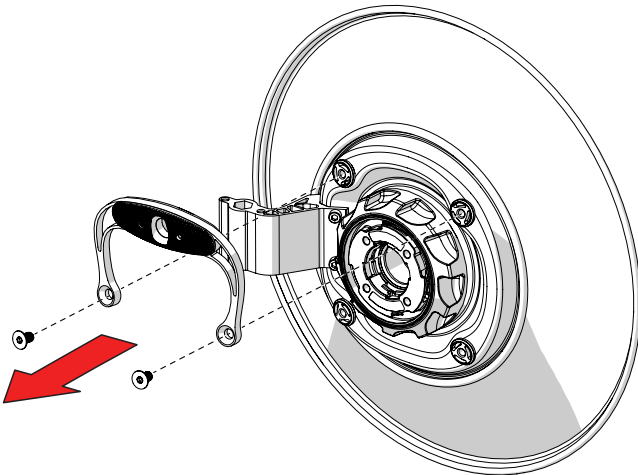
\* TwistPort™ Adaptor or SIMPER™ Radio sold separately.

Pre-Installation Guide - This step applies only to the **UD-TP-21** and **UD-TP-24** Antennas

**Optional:** Left side of the pole mounting



Use 5 mm Hex Key when disassembling the antenna



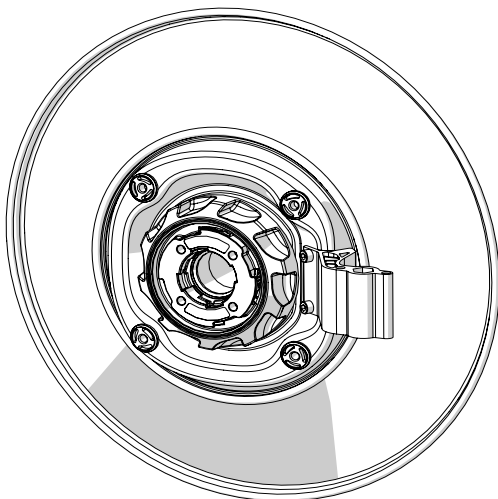
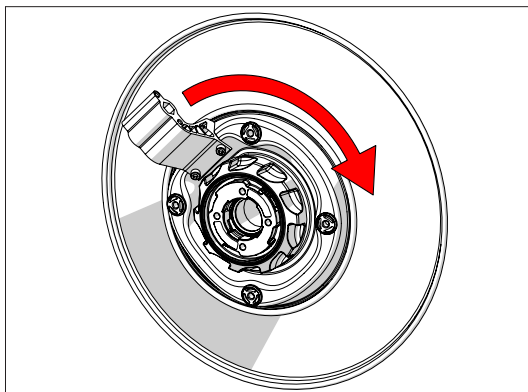
Model UD-TP-24 shown. Installation instructions are identical for UD-TP-21 model.

Antenna dimensions may differ.



Pre-Installation Guide - This step applies only to the **UD-TP-21** and **UD-TP-24** Antennas

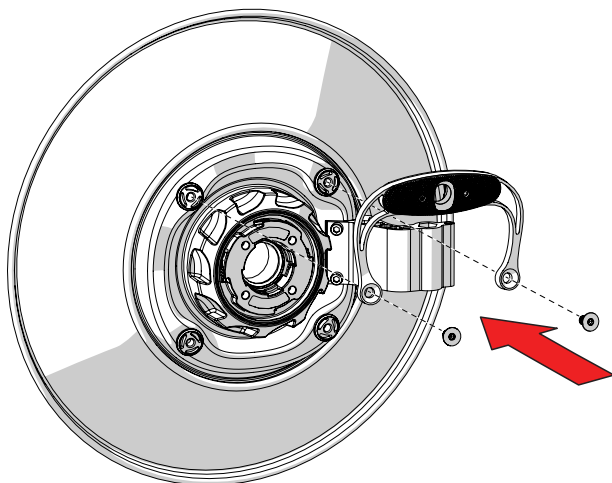
**Optional:** Left side of the pole mounting



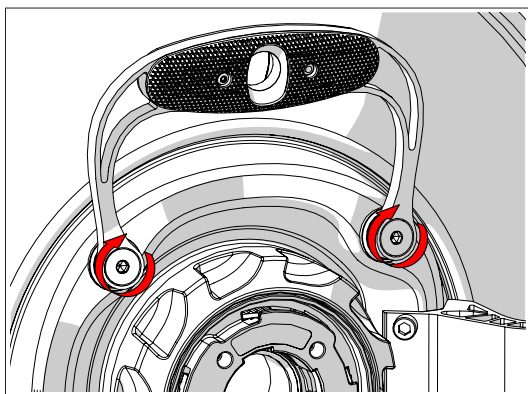
Model UD-TP-24 shown. Installation instructions are identical for UD-TP-21 model.  
Antenna dimensions may differ.

Pre-Installation Guide - This step applies only to the UD-TP-21 and UD-TP-24 Antennas

**Optional:** Left side of the pole mounting



Use 5 mm Hex Key when assembling the antenna



Model UD-TP-24 shown. Installation instructions are identical for UD-TP-21 model.  
Antenna dimensions may differ.

### Compatible Devices:

**RF elements®**

any TwistPort™ Adaptor

any SIMPER™ Radio with TwistPort™ connector

RF elements®, TwistPort™, SIMPER™,  
and UltraDish™ are trademarks  
of RF elements s.r.o., Slovakia.

All rights of trademark owners reserved.



RF elements s.r.o.  
Phone: +421 2 7333 7733  
info@rfelements.com  
[www.rfelements.com](http://www.rfelements.com)